

## Produktový list

Objednací kód: **FL1115R**

**FORTIS LINE** sprchové dveře 1500mm, čiré sklo, pravé



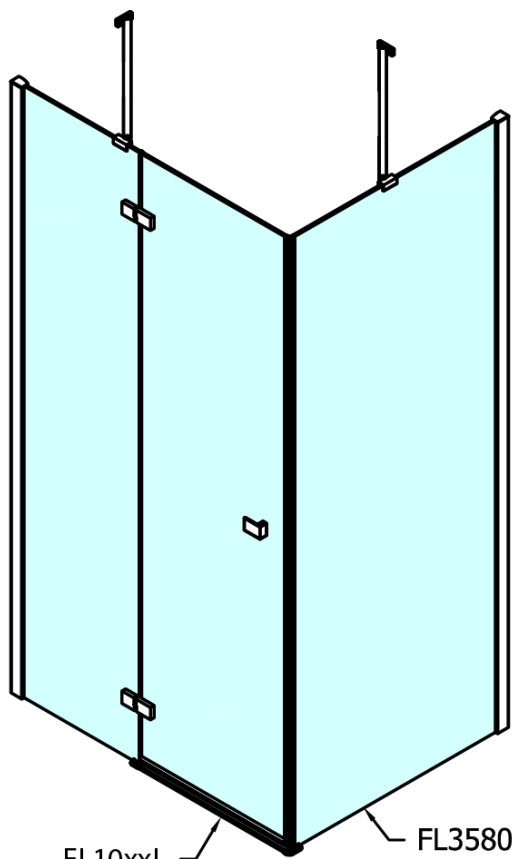
FL10xxL  
FL11xxL



FL10xxR  
FL11xxR

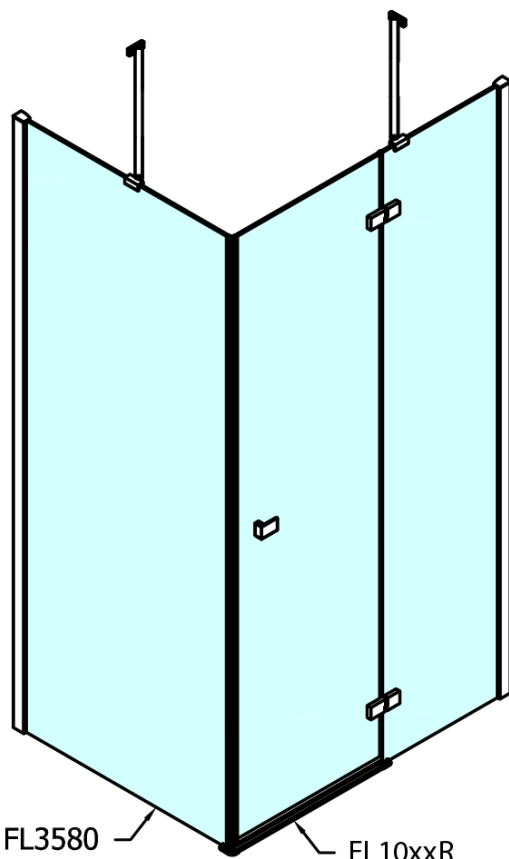


|        | A (mm)    | B (mm) | C (mm)    |
|--------|-----------|--------|-----------|
| FL1080 | 785-801   | ≈ 210  | 779-795   |
| FL1090 | 885-901   | ≈ 310  | 879-895   |
| FL1010 | 985-1001  | ≈ 410  | 979-995   |
| FL1011 | 1085-1101 | ≈ 510  | 1079-1095 |
| FL1012 | 1185-1201 | ≈ 610  | 1179-1195 |
| FL1113 | 1285-1301 | ≈ 710  | 1279-1295 |
| FL1114 | 1385-1401 | ≈ 810  | 1379-1395 |
| FL1115 | 1485-1501 | ≈ 910  | 1479-1495 |



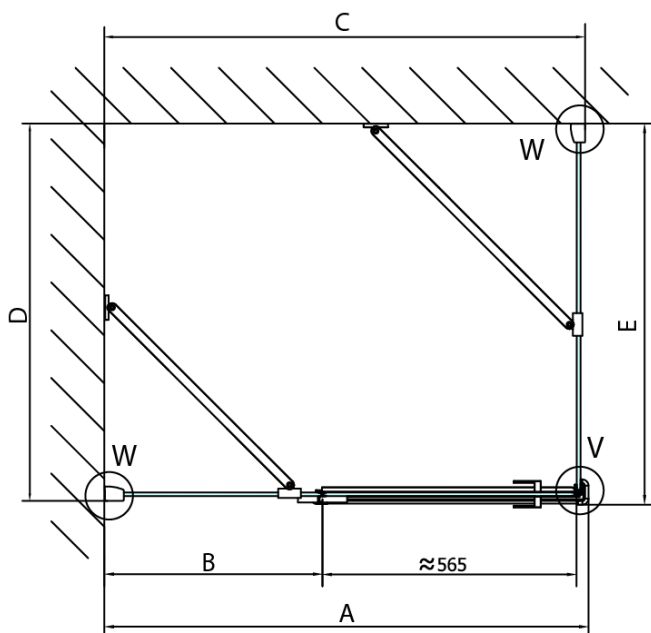
FL10xxL  
FL11xxL

FL3580  
FL3590  
FL3510  
FL3511  
FL3512



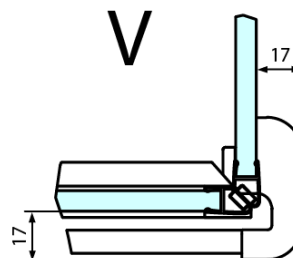
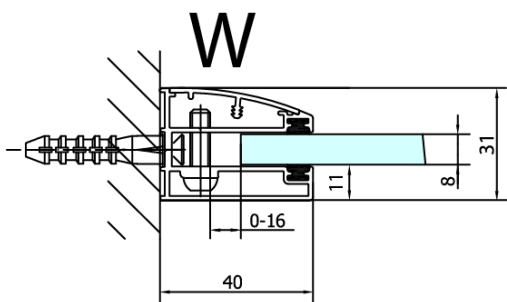
FL3580  
FL3590  
FL3510  
FL3511  
FL3512

FL10xxR  
FL11xxR



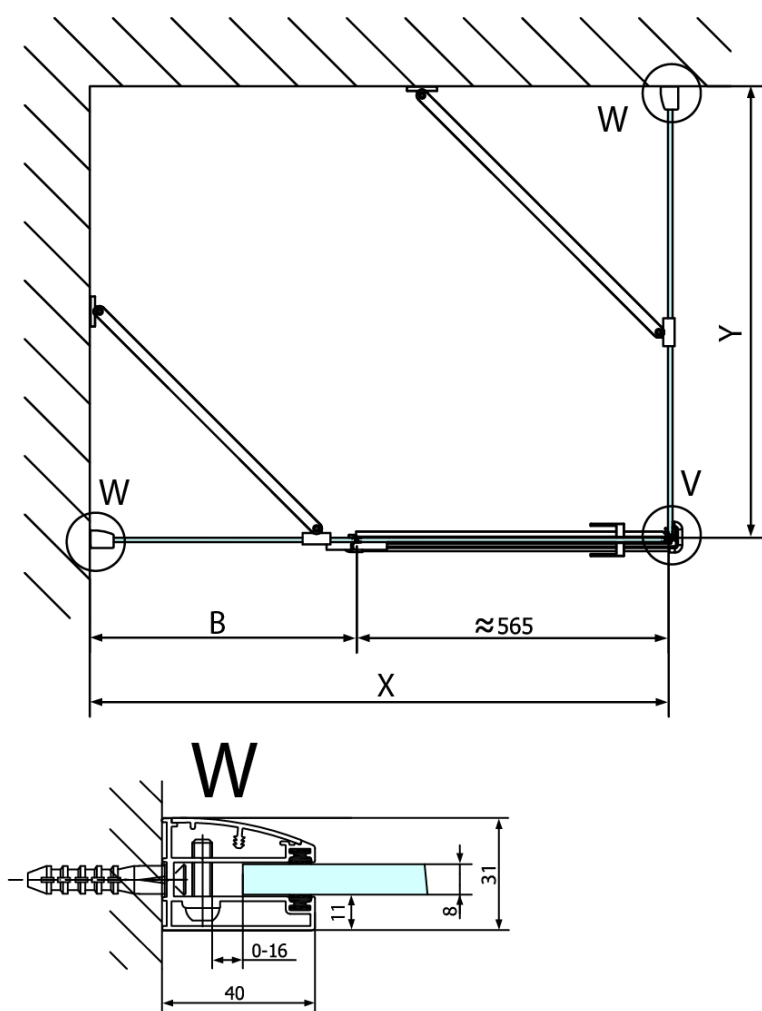
| Dveře  | A (mm)    | B (mm) | C (mm)    |
|--------|-----------|--------|-----------|
| FL1080 | 785-801   | ≈ 200  | 779-795   |
| FL1090 | 885-901   | ≈ 300  | 879-895   |
| FL1010 | 985-1001  | ≈ 400  | 979-995   |
| FL1011 | 1085-1101 | ≈ 500  | 1079-1095 |
| FL1012 | 1185-1201 | ≈ 600  | 1179-1195 |
| FL1113 | 1285-1301 | ≈ 700  | 1279-1295 |
| FL1114 | 1385-1401 | ≈ 800  | 1379-1395 |
| FL1115 | 1485-1501 | ≈ 900  | 1479-1495 |

| Boční stěna | E         | D         |
|-------------|-----------|-----------|
| FL3580      | 785-801   | 779-795   |
| FL3590      | 885-901   | 879-895   |
| FL3510      | 985-1001  | 979-995   |
| FL3511      | 1085-1101 | 1079-1095 |
| FL3512      | 1185-1201 | 1179-1195 |



Stavební připravenost pro montáž na dlažbu  
 kóty x,y = Rozměr k vnitřní straně skla

Construction readiness for floor mounting  
 dimensions x, y = Dimension to the inside of the glass



| Dveře  | X (mm) | B (mm) |
|--------|--------|--------|
| FL1080 | 768    | ≈ 200  |
| FL1090 | 868    | ≈ 300  |
| FL1010 | 968    | ≈ 400  |
| FL1011 | 1068   | ≈ 500  |
| FL1012 | 1168   | ≈ 600  |
| FL1113 | 1268   | ≈ 700  |
| FL1114 | 1368   | ≈ 800  |
| FL1115 | 1468   | ≈ 900  |

| Boční stěna | Y    |
|-------------|------|
| FL3580      | 768  |
| FL3590      | 868  |
| FL3510      | 968  |
| FL3511      | 1068 |
| FL3512      | 1168 |

